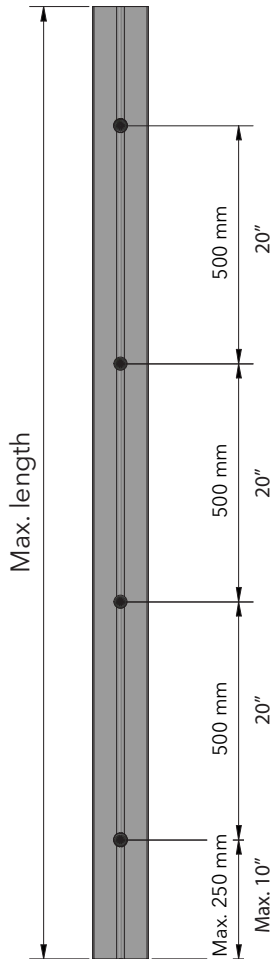
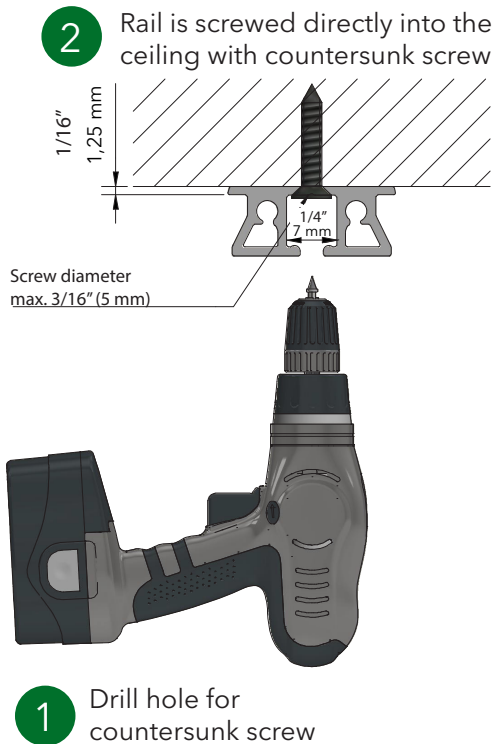


Safetrack Mini, round duct

GS-0004-02



Rails are supplied in full lengths
(to be cut to size on site)

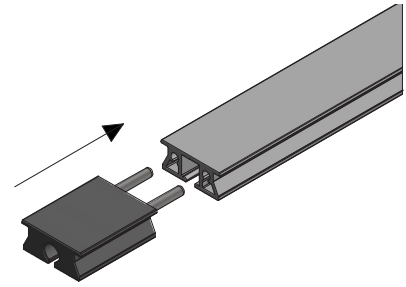


1 Drill hole for countersunk screw

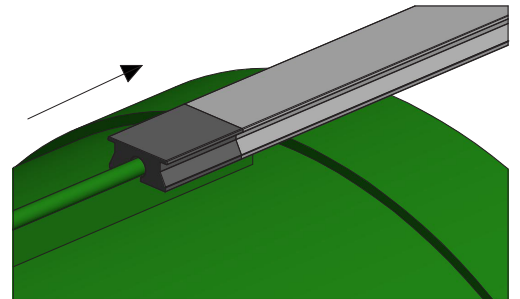
2 Rail is screwed directly into the ceiling with countersunk screw

Easy mounting

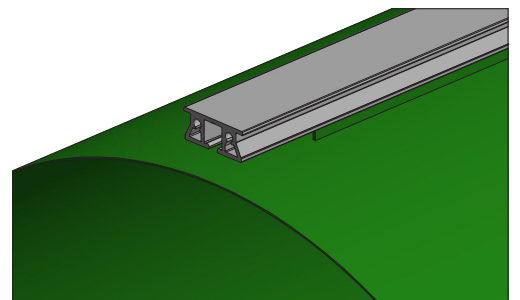
3 Attach feeder to end of rail



4 Feed duct into rail



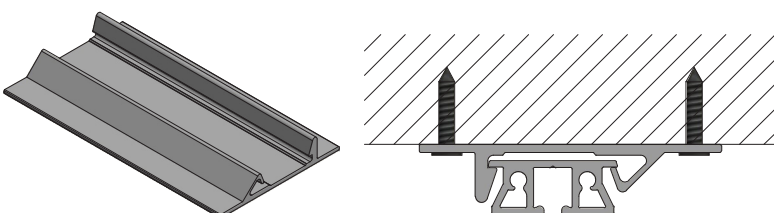
5 Remove feeder (reusable) when duct is installed



Optional suspension type

SafeCeil (Double flange)

Skip step 1 and 2. Start with screwing the SafeCeils into the ceiling. Refer to packing list for quantity and resulting spacing



Install rail system according to drawings and enclosed mounting instructions

