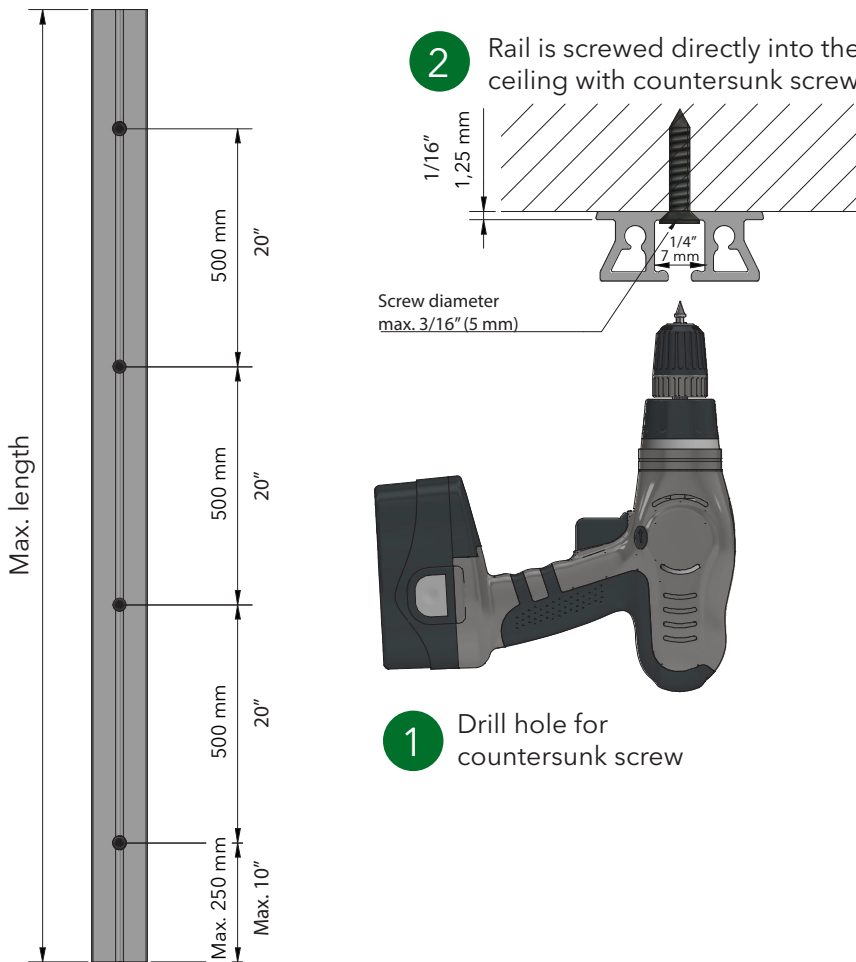


# Safetrack Mini, D-duct GD-0004-02

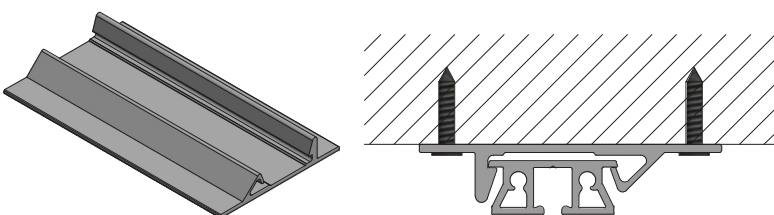


Rails are supplied in full lengths (to be cut to size on site)

## Optional suspension type

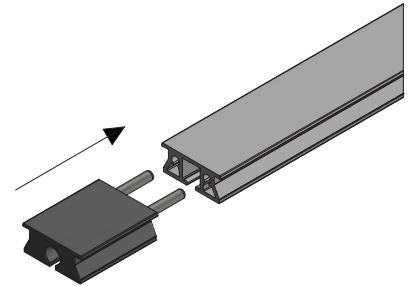
### SafeCeil (Double flange)

Skip step 1 and 2. Start with screwing the SafeCeils into the ceiling. Refer to packing list for quantity and resulting spacing

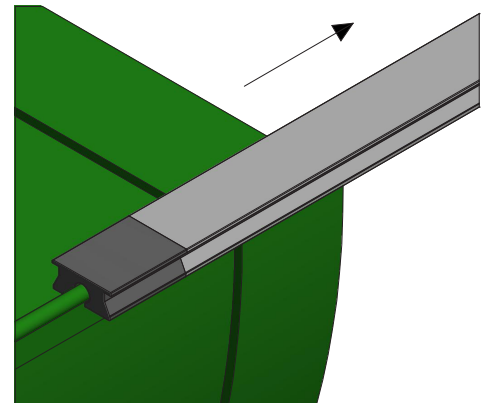


## Easy mounting

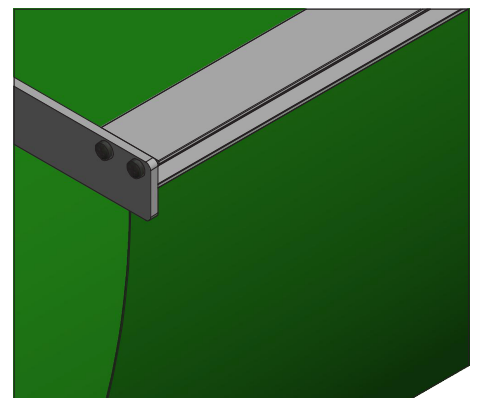
**3** Attach feeder to end of rail



**4** Feed duct into rail



**5** Remove feeder (reusable) when duct is installed. End sections are optional



Install rail system according to drawings and enclosed mounting instructions

