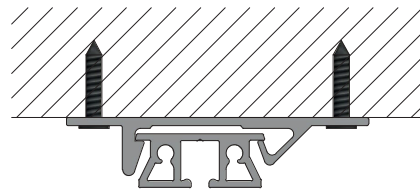
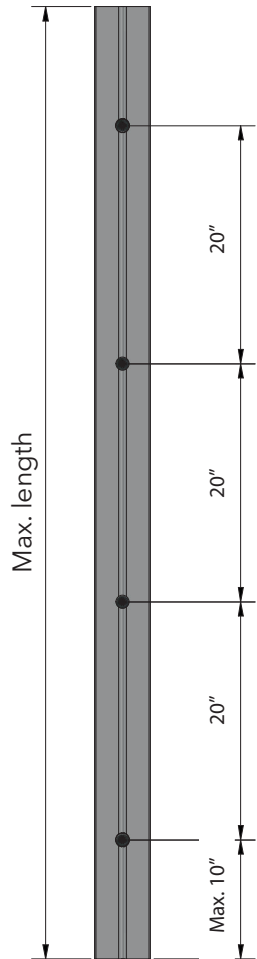
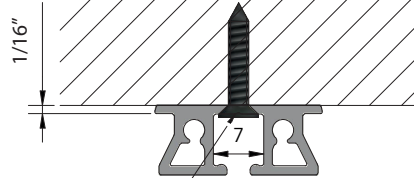


Safetrack Mini, D-duct GD-0004-US-01

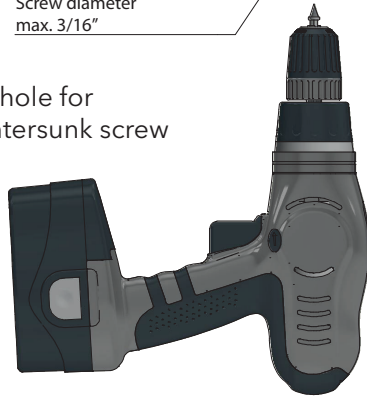


Rail is screwed directly into the ceiling with countersunk screw



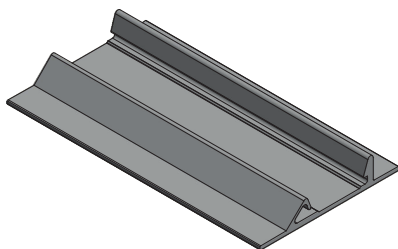
Screw diameter
max. 3/16"

Drill hole for
countersunk screw



Rails are supplied in full lengths
(to be cut to size on site)

Suspension type
SafeCeil (double flange)

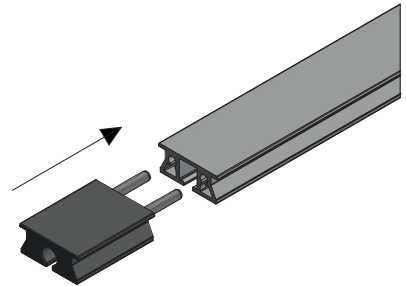


Install rail system according to drawings
and enclosed mounting instructions

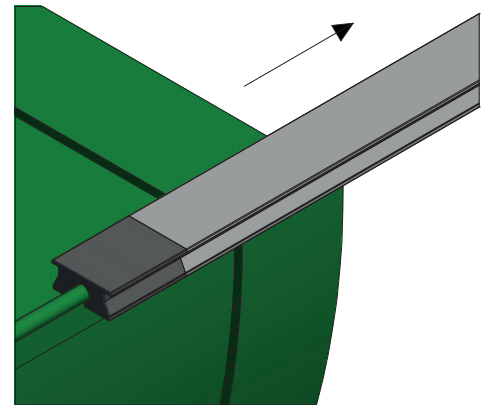


Easy mounting

1. Attach feeder to end of rail



2. Feed duct into rail



3. Remove feeder when duct is installed and attach end section

